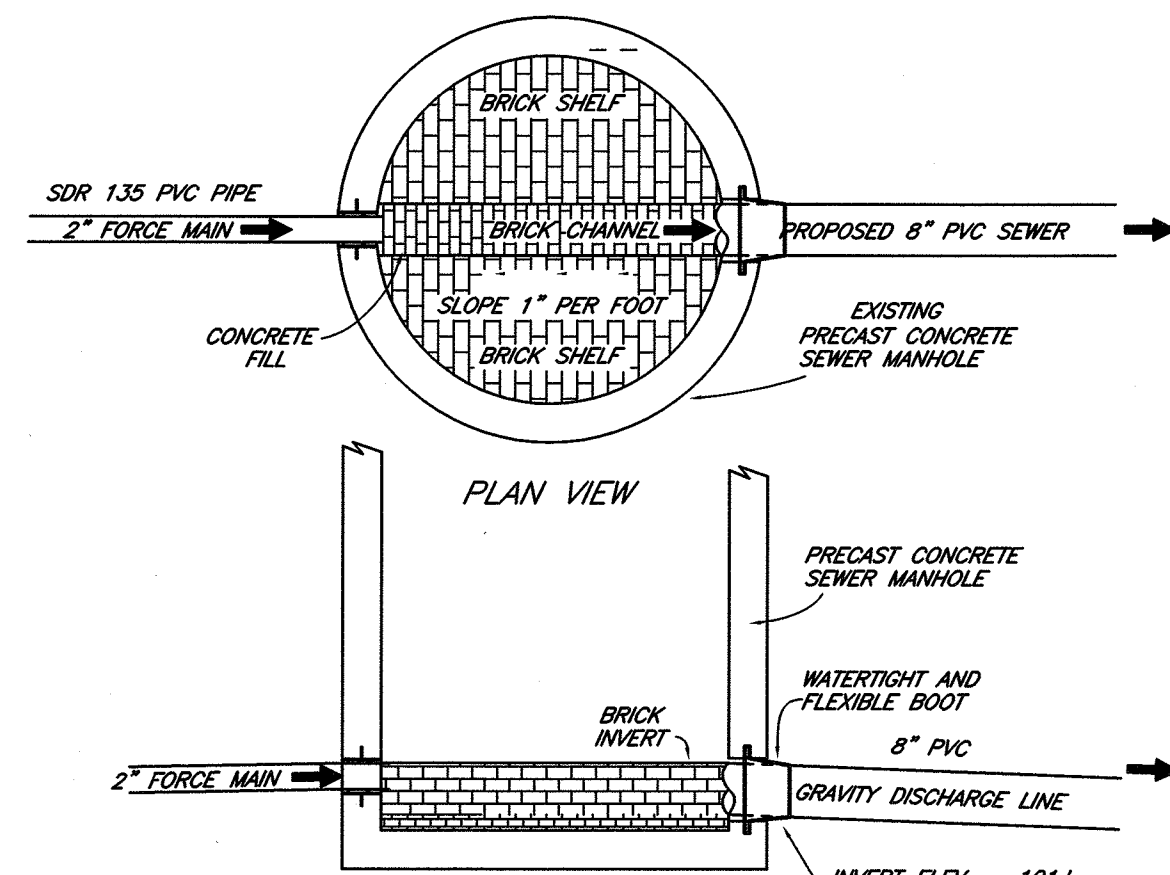


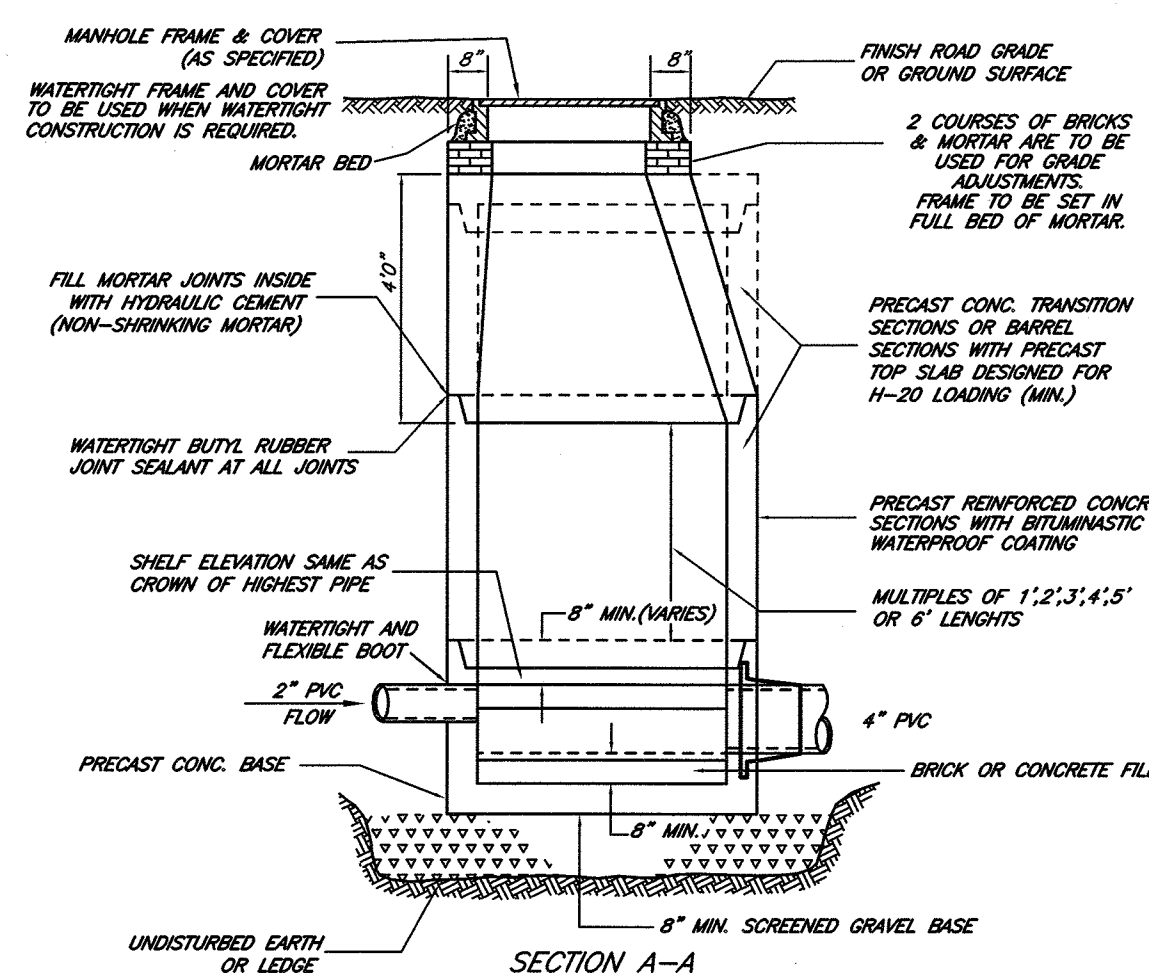
NOTE: ALL GRINDER PUMPS SHALL BE ENVIRONMENT ONE MODEL GP2010 GRINDER PUMPS, 1/2 HP, 1725 RPM, 120/240V/50HZ, ONE PHASE, AS MANUFACTURED BY ENVIRONMENT ONE CORPORATION OF SCHENECTADY, NY. PUMP DESIGN AND CURVE SHALL BE SUBMITTED WITH SEWER PERMIT APPLICATION FOR EACH RESIDENCE. PUMPS TO INCLUDE HIGH LEVEL ALARM, OPERATION AND MAINTENANCE MANUAL.

DISCONNECT AND ALARM PANEL SHALL BE RAIN PROOF (NEMA 3R) ENCLOSURE, EQUIPPED WITH CIRCUIT BREAKERS OR DISCONNECT SWITCH. PANEL AND AUDIO/VISUAL ALARM DEVICES SHALL BE LOCATED NEXT TO THE ELECTRIC PANEL OF THAT PARTICULAR DWELLING.



SECTION VIEW  
PROPOSED SMH ON LOT 2 RIM = 107.5±  
FORCEMAIN DETAIL AT DISCHARGE  
MANHOLE ON LOT 2  
NOT TO SCALE

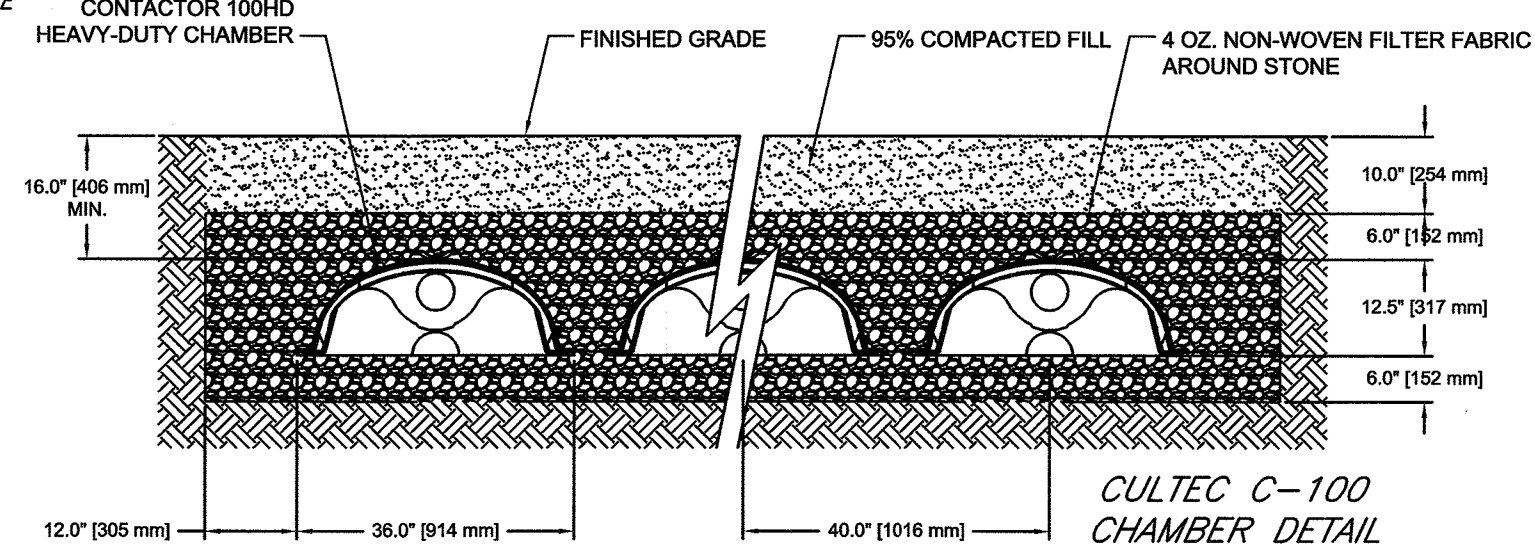
TYPICAL WOOD REFLECTOR POST  
NOT TO SCALE



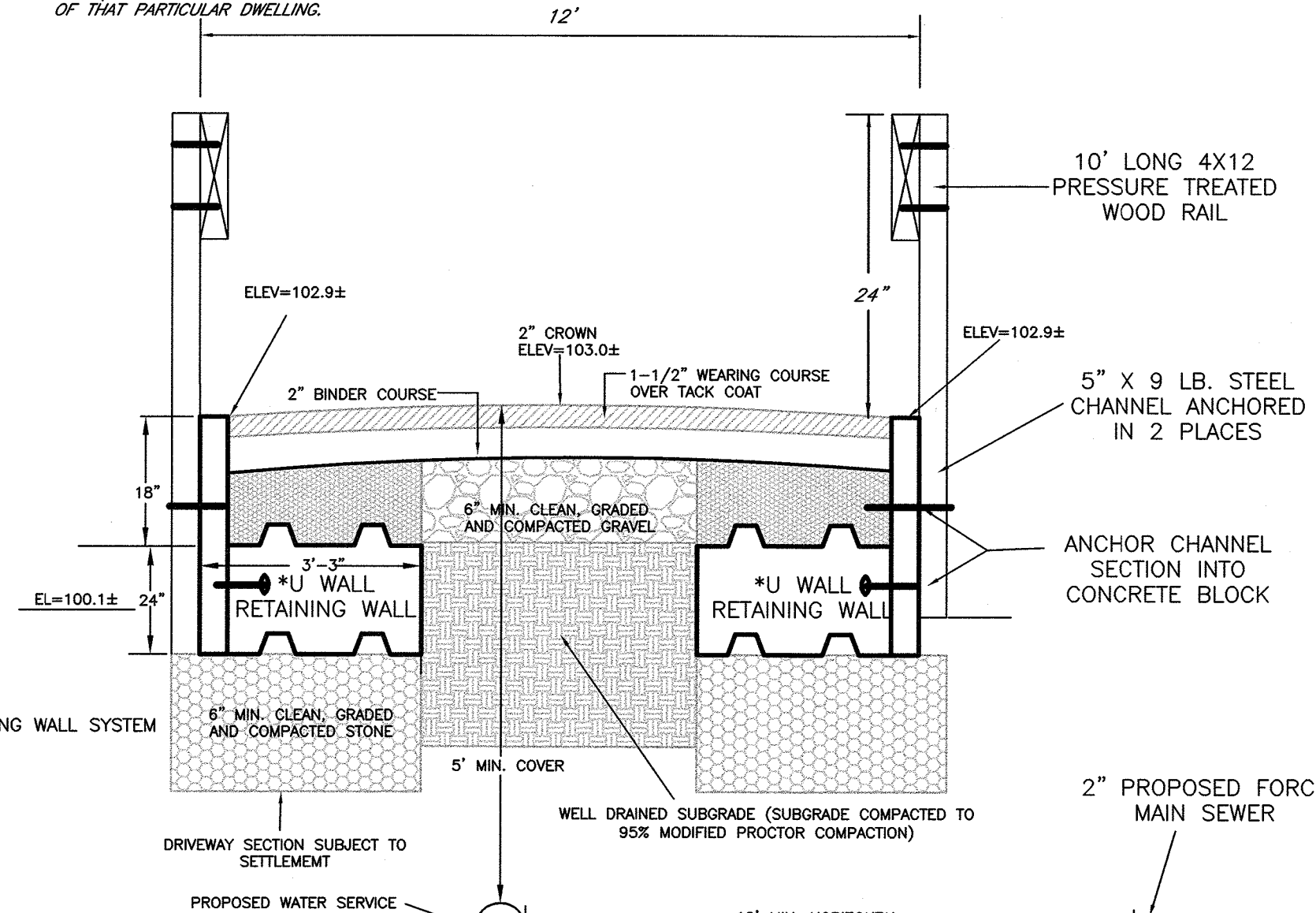
TYPICAL PRECAST SEWER MANHOLE  
NOT TO SCALE

NOTE: WHEREVER FEASIBLE, SEWERS WILL BE LAID AT A MINIMUM OF 10 FEET, HORIZONTALLY, FROM ANY EXISTING OR PROPOSED WATER MAIN. SHOULD LOCAL CONDITIONS PREVENT A LATERAL SEPARATION OF 10 FEET TO A WATER MAIN THE SEWER MAIN WILL BE LAID IN A SEPARATE TRENCH AND THE ELEVATION OF THE CROWN OF THE SEWER PLACED AT LEAST 18 INCHES BELOW THE INVERT OF THE WATER MAIN. WHENEVER SEWERS MUST CROSS UNDER WATER MAINS, THE SEWER SHALL BE LAID AT SUCH AN ELEVATION THAT THE CROWN OF THE SEWER IS AT LEAST 18 INCHES BELOW THE INVERT OF THE WATER MAIN. WHEN IT IS IMPOSSIBLE TO OBTAIN HORIZONTAL OR VERTICAL SEPARATION AS STIPULATED ABOVE, BOTH THE WATER MAIN AND SEWER SHOULD BE ENCASED IN CONCRETE FOR 10 FEET EITHER SIDE OF THE CROSSING.

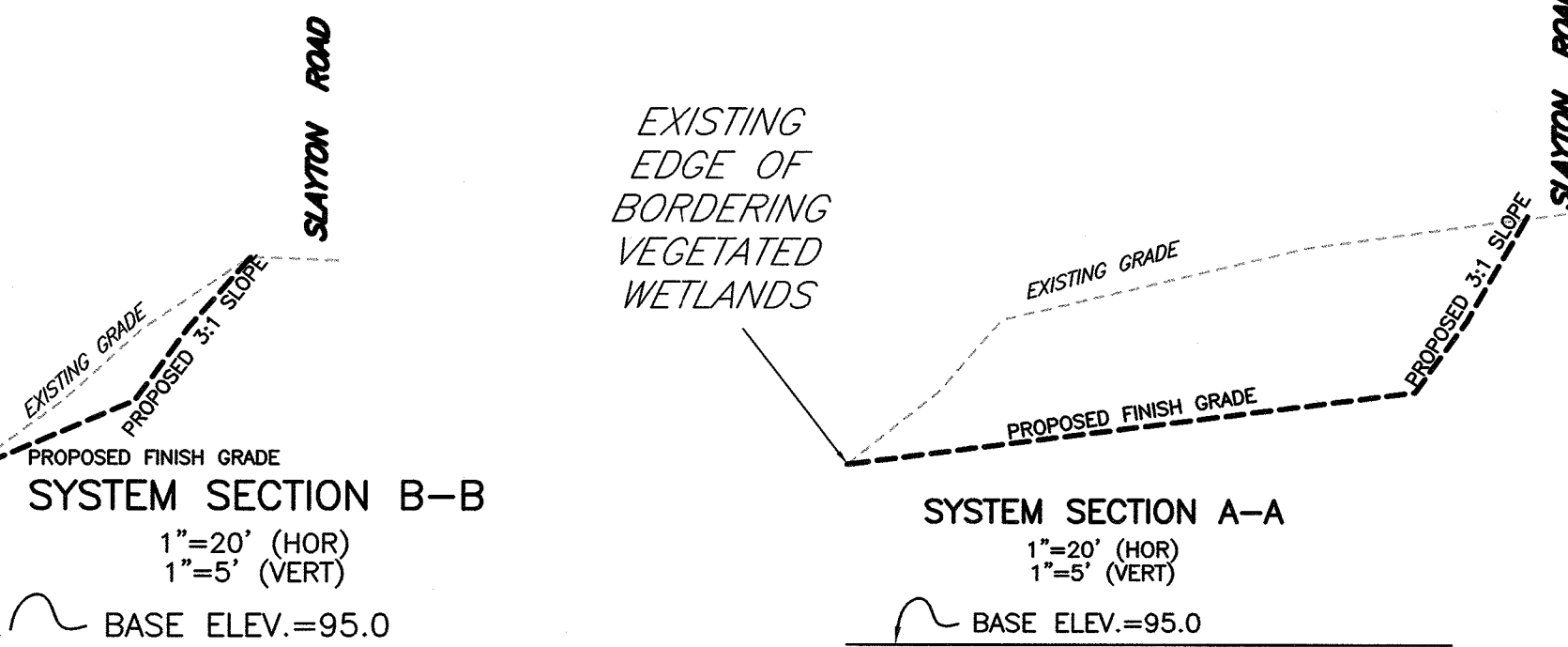
IN LOCATIONS WHERE THE SEWER MAIN DOES NOT HAVE 48" OF COVER THE MAIN WILL BE INSULATED.



CULTEC C-100 CHAMBER DETAIL



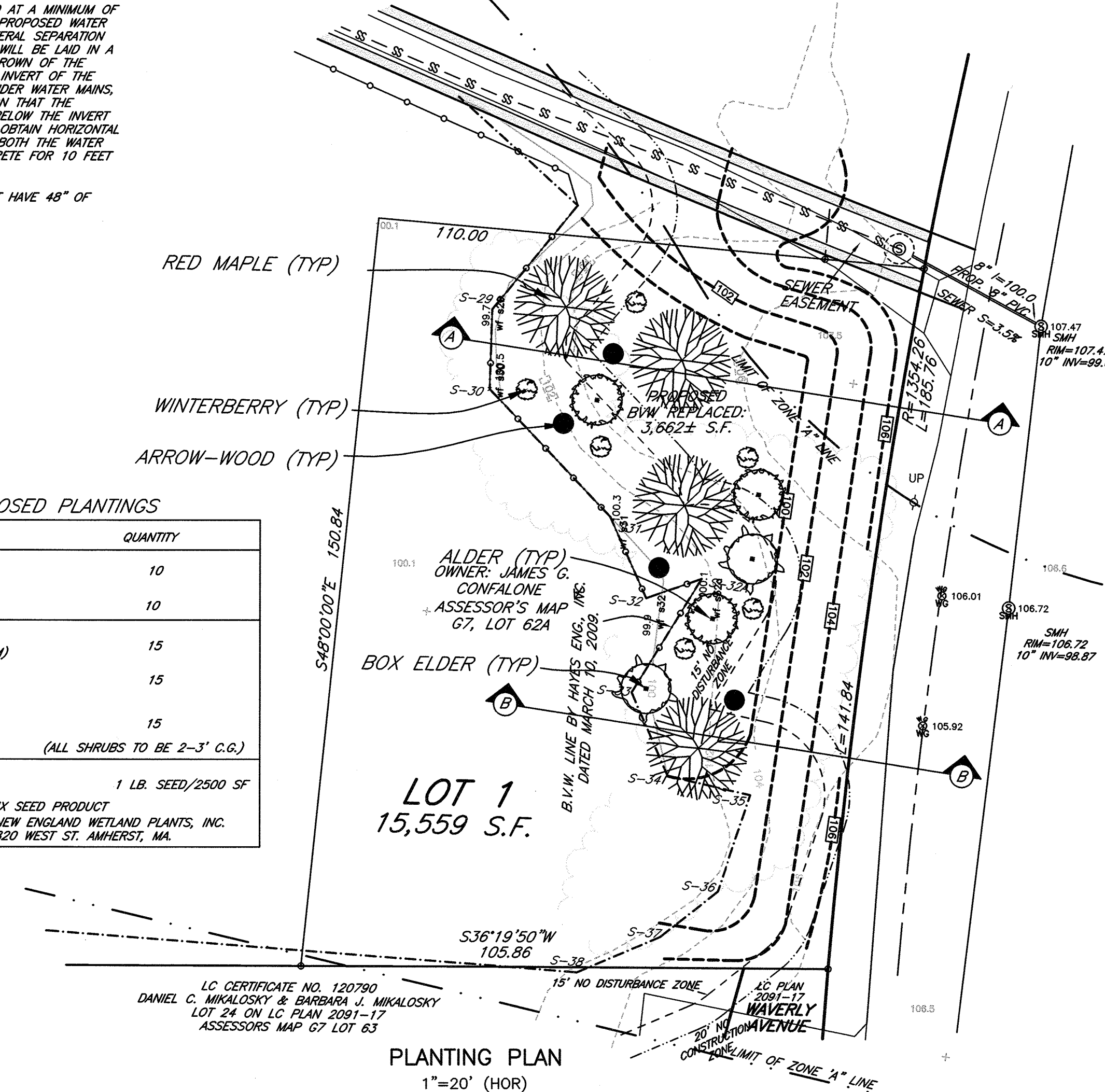
DRIVEWAY CROSS-SECTION (TYP.)  
NOT TO SCALE



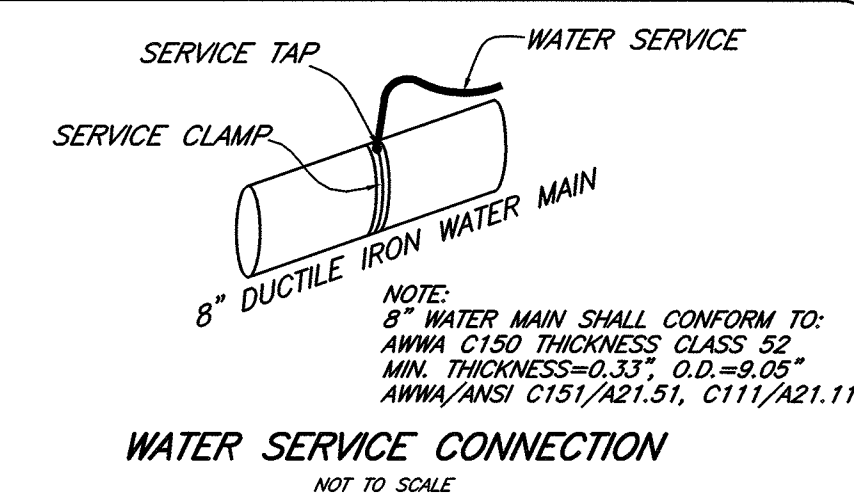
SYSTEM SECTION B-B  
1"=20' (HOR)  
1"=5' (VERT)  
BASE ELEV.=95.0

SYSTEM SECTION A-A  
1"=20' (HOR)  
1"=5' (VERT)  
BASE ELEV.=95.0

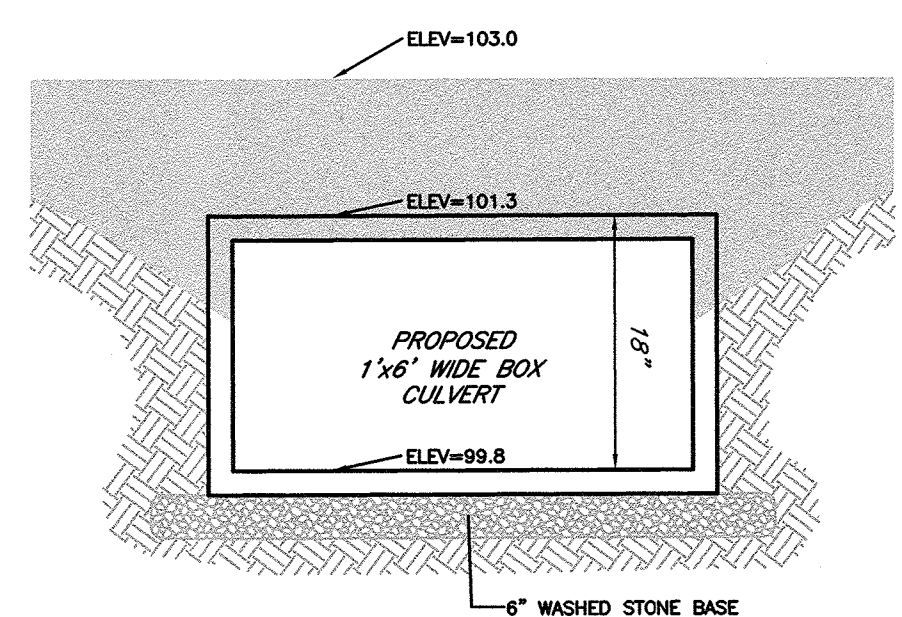
PROPOSED PLANTINGS	
SPECIES	QUANTITY
RED MAPLE (ACER RUBRUM)	10
BOX ELDER (ACER RUBRUM)	10
ARROW-WOOD (VIBURNUM DENTATUM)	15
ALDER (ALNUS SERRULATA)	15
WINTERBERRY (LLEX VERTICILLATA)	15
(ALL SHRUBS TO BE 2-3' C.G.)	
1 LB. SEED/2500 SF	
NEW ENGLAND WET MIX SEED PRODUCT OR EQUIVALENT FROM NEW ENGLAND WETLAND PLANTS, INC. 820 WEST ST. AMHERST, MA.	



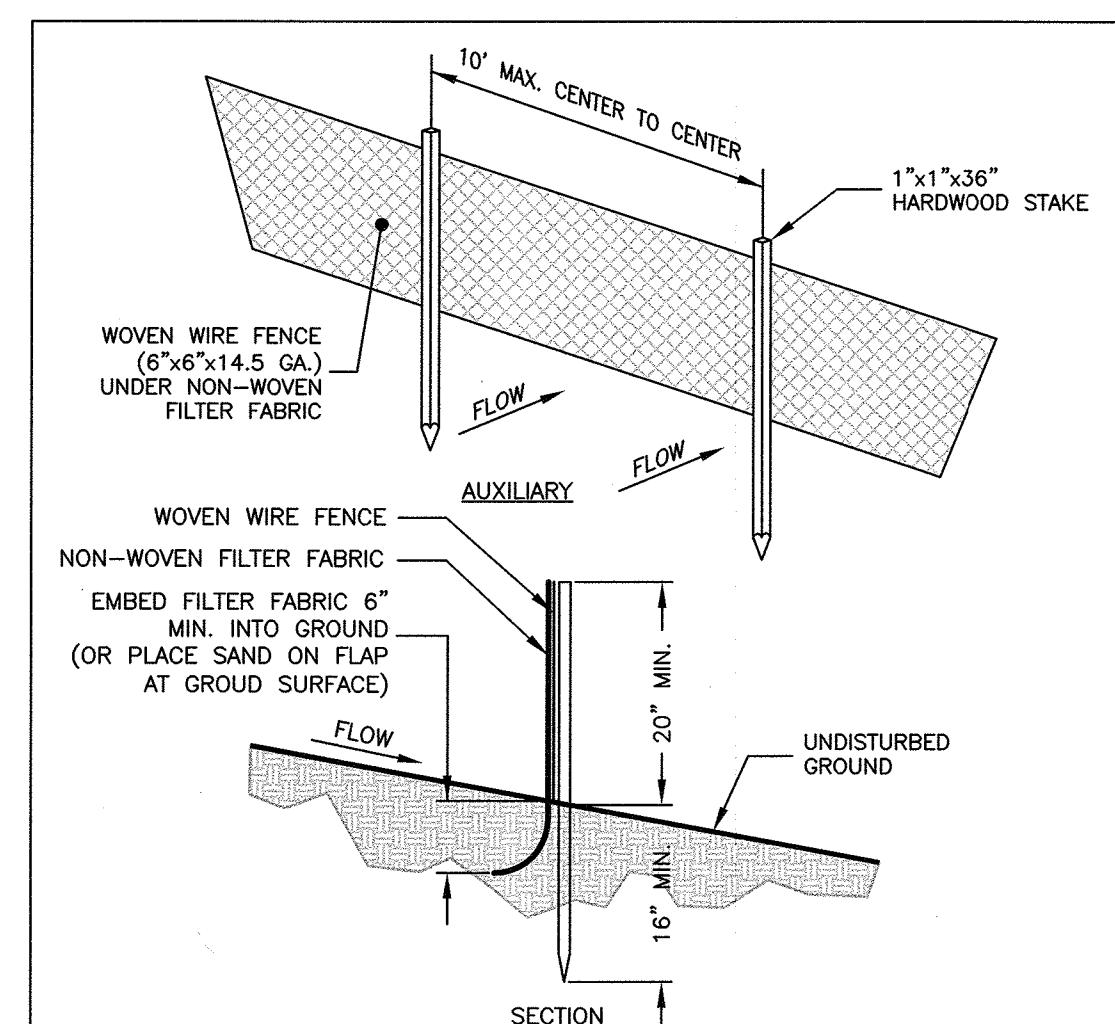
PLANTING PLAN  
1"=20' (HOR)



WATER SERVICE CONNECTION  
NOT TO SCALE

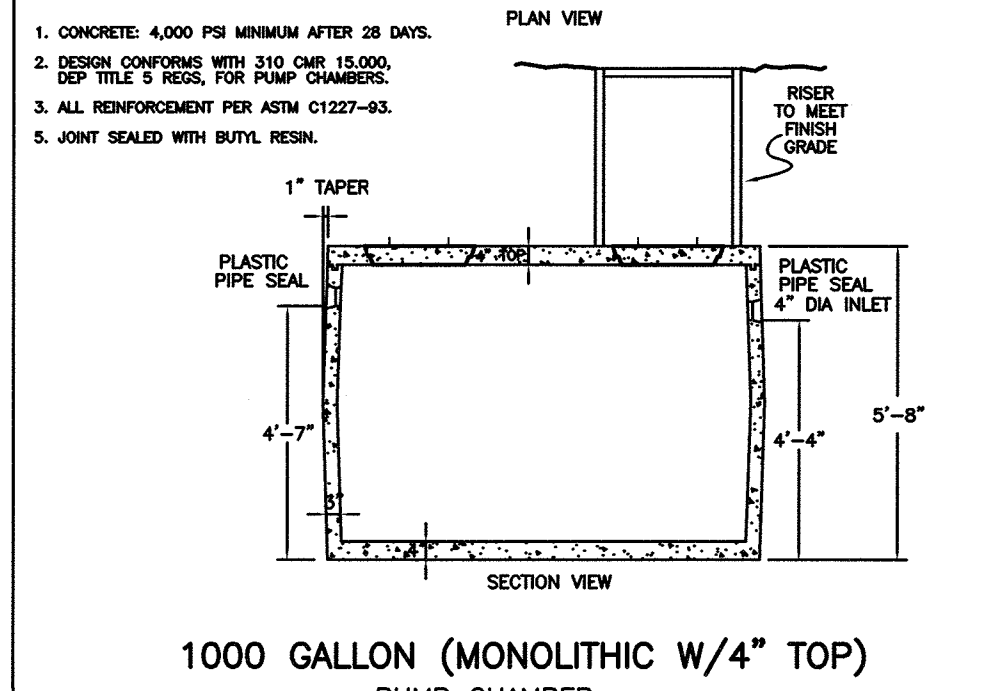


DETAIL FROM TYPICAL ROOF DRAIN TO DRY WELL OR CULTEC  
NOT TO SCALE



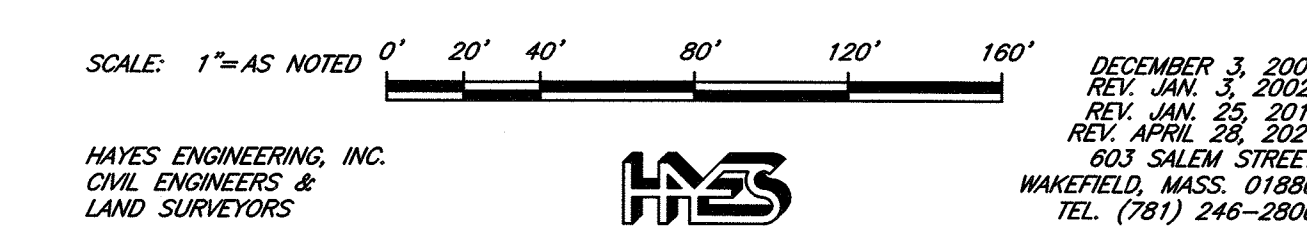
SECTION  
SILT FENCE  
NOT TO SCALE

NOTES:  
1. WOVEN WIRE FENCE (6"x6"x14.5 GA.) UNDER NON-WOVEN FILTER FABRIC TO BE USED AT ALL WETLAND CROSSINGS AND ALL AREAS WITHIN 25' OF THE WETLAND LINE. ALL OTHER LOCATIONS THE FILTER FABRIC TO BE UV RESISTANT POLYPROPYLENE WITH A MINIMUM WEIGHT OF 2.5 OZ./SQ.  
2. USE MULTIPLE ROWS OF SILT FENCE FOR LONG STEEP SLOPES IF NECESSARY.



1000 GALLON (MONOLITHIC W/4" TOP) PUMP CHAMBER

DETAIL SHEET  
IN  
MELROSE,  
MASS.



REVISIONS:  
1-11-01  
5-17-01  
12-03-01  
01-03-02  
01-29-10  
04-28-21  
08-11-21  
08-11-21  
10-14-21  
11-17-21

HAYES ENGINEERING, INC.  
CIVIL ENGINEERS &  
LAND SURVEYORS

DECEMBER 3, 2001  
REV. JAN. 3, 2002  
REV. JAN. 25, 2010  
REV. APRIL 28, 2021  
603 SALEM STREET  
WAKEFIELD, MASS. 01880  
TEL. (781) 246-2800

